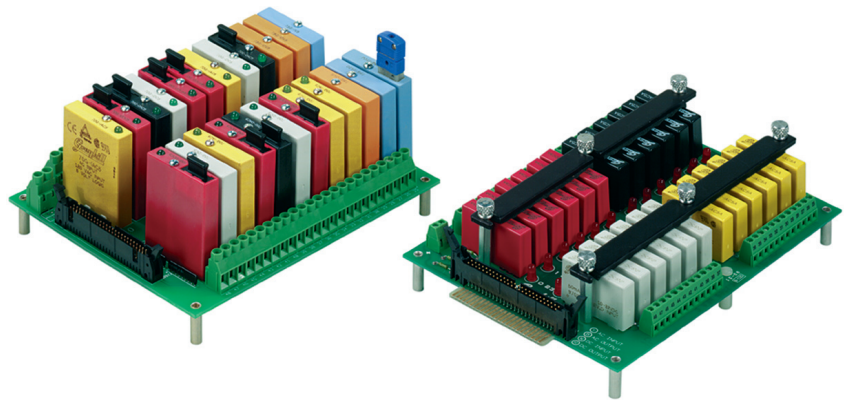


## RACKS 24 Channel

### FEATURES

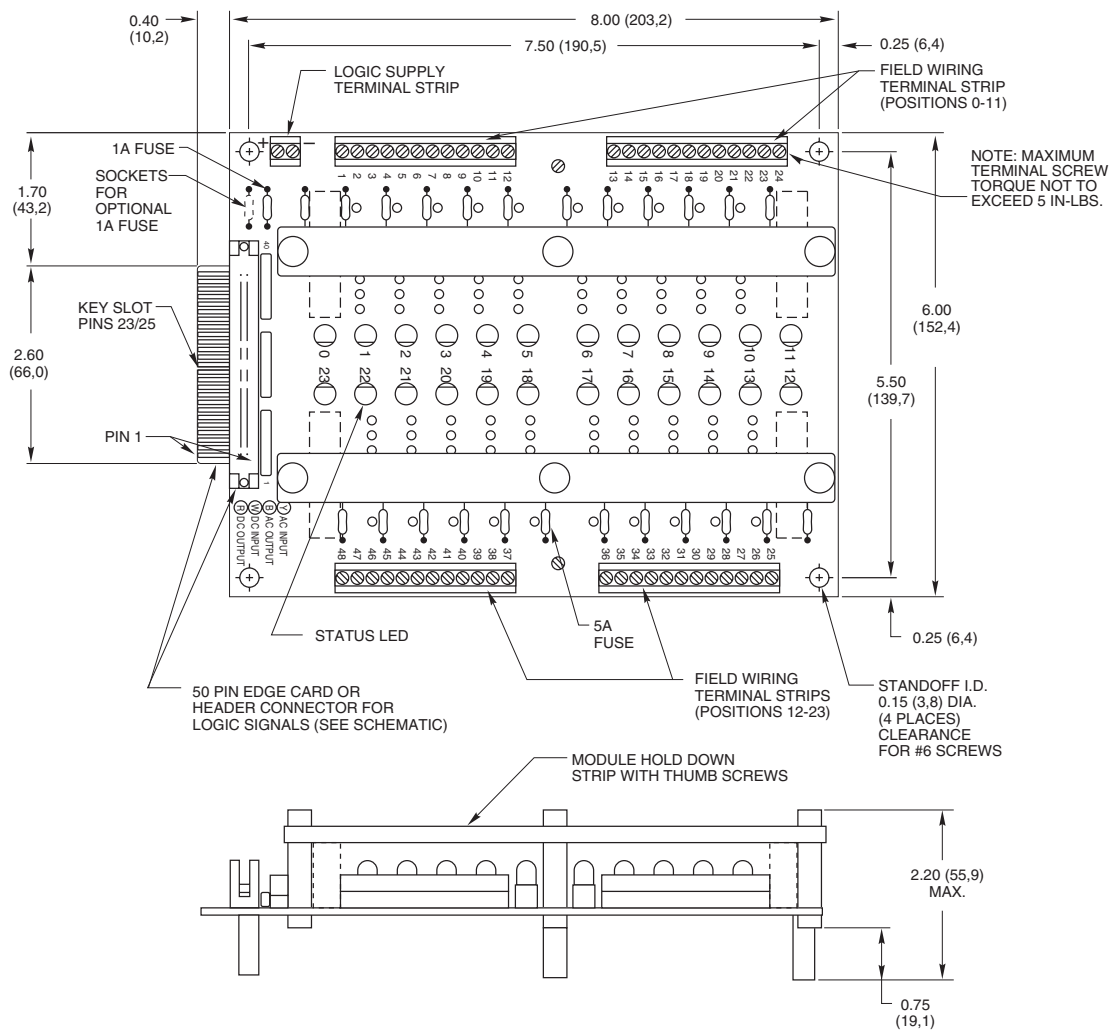
- For use with System 50 Style Controllers
- Available for Miniature, G5 and OpenLine® Modules
- UL, CSA Certified



### 24 CHANNEL RACK: Miniature

**Part No. 70MRCQ24**

Dimensions are shown in inches (and millimeters).  
Tolerances are  $\pm 0.010$  (0,25) unless otherwise specified.

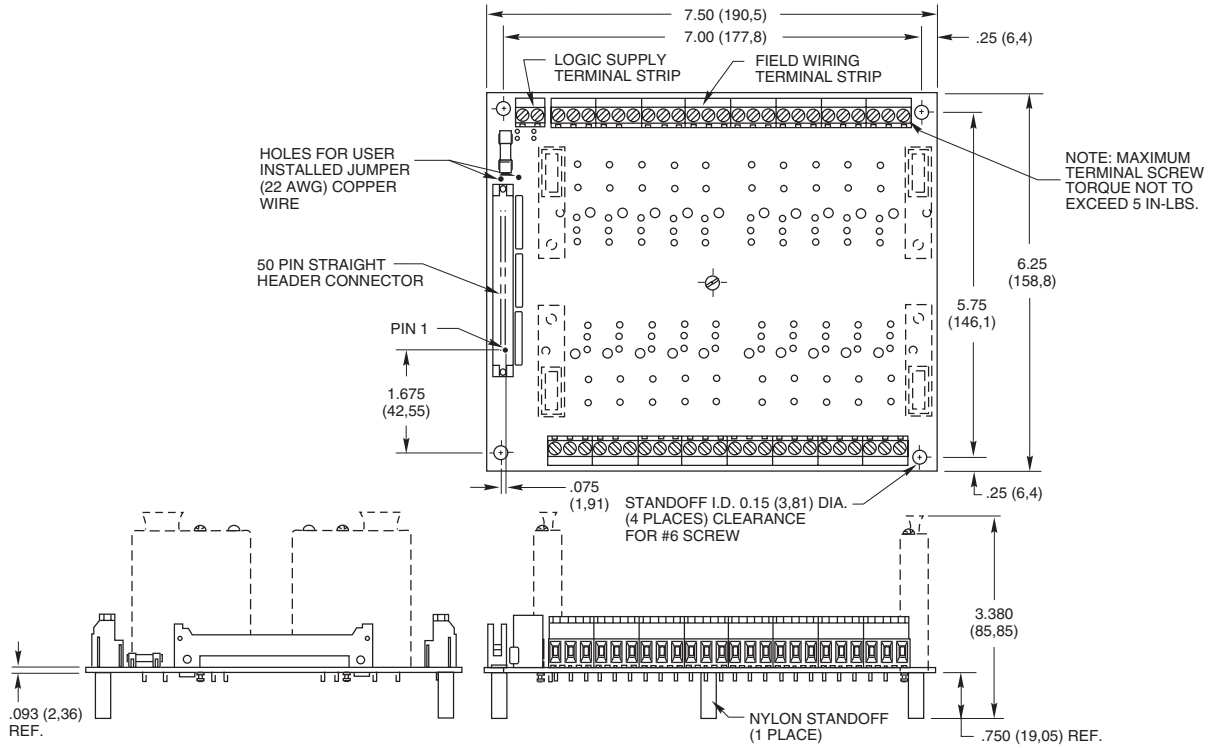


**24 CHANNEL RACK: G5**

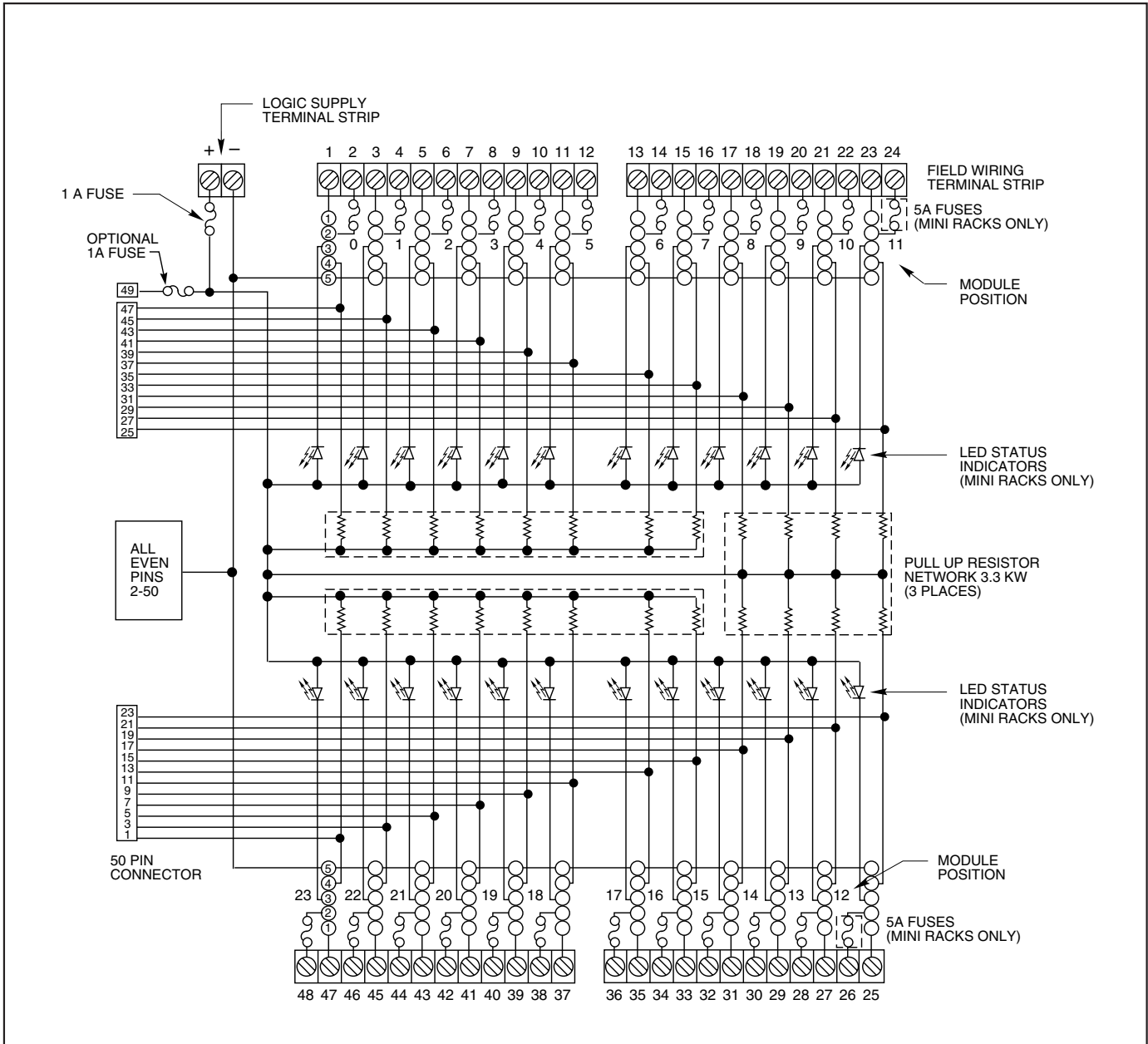
**Part No. 70GRCQ24**

Dimensions are shown in inches  
(and millimeters).

All tolerances are  $\pm 0.010$  (0,25)  
unless otherwise specified.



**SCHEMATIC: PART NO. 70MRCQ24 AND 70GRCQ24**



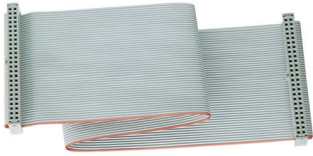
**ORDERING INFORMATION** (modules ordered separately)

Part Number	I/O	Description	UL	CSA	Style
70MRCQ24-EC	24	Card edge	X	X	Mini
70MRCQ24-HL	24	50-pin header with ejector levers	X	X	Mini
70GRCQ24-HL	24	50-pin header with ejector levers	X	X	G5

Available from your local Grayhill Distributor. For prices and discounts, contact a local Sales Office, an authorized local Distributor, or Grayhill.

## ACCESSORIES

### CABLE ASSEMBLIES



Several standard cable assemblies to connect controllers to our I/O module mounting racks may be ordered. The 72-CHH cable has a 50-pin header connector on each end to mate with those on mounting racks. The 72-CHE cable has a 50-pin header connector on one end and a 50-pin edge card connector on the other.

### ORDERING INFORMATION

Part Number	Description
<b>Cable Assemblies</b>	
<b>72-CHH-1</b>	Ribbon cable assembly, header to header, 1 foot long
<b>72-CHH-2</b>	Ribbon cable assembly, header to header, 2 feet long
<b>72-CHH-4</b>	Ribbon cable assembly, header to header, 4 feet long
<b>72-CHH-6</b>	Ribbon cable assembly, header to header, 6 feet long
<b>72-CHE-2</b>	Ribbon cable assembly, header to edge card, 2 feet long
<b>72-CHE-4</b>	Ribbon cable assembly, header to edge card, 4 feet long
<b>72-CHE-6</b>	Ribbon cable assembly, header to edge card, 6 feet long

**I/O Modules, Module Racks, and Accessories are available through Authorized Grayhill Industrial Distributors.** For prices and discounts, contact your local sales office, an authorized Industrial Distributor, or Grayhill.